

Troffer Retro-fit Series

T8 or T5 : 2 x 2 or 2 x 4 Retro Kits



GreenTech Lighting

Commercial Grade Solutions

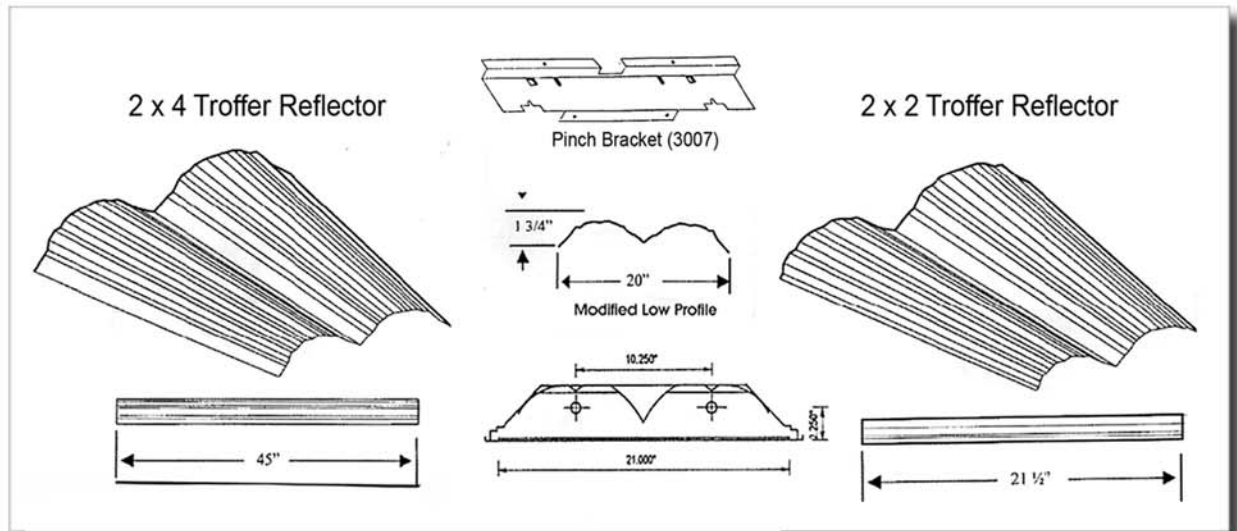
Why pay for entire new fixtures, the downtime and expensive labor to install them, when we can retro-fit your existing fixtures with premium ballasts and bulbs cheaper and faster!



Just RETRO-FIT your costly old T-12 Lights with GTL Troffer Kits

Ideal for:

- | | |
|--------------------|------------------|
| Offices | Retail |
| Hallways | Entry-Ways |
| Waiting Rooms | Stairwells |
| Hospital Rooms | Lab Areas |
| Restrooms | Lounges |
| Dining Areas | Elevators |
| Food Service Areas | Classrooms |
| Registration Areas | Studios |
| Conference Rooms | Fitness Rooms |
| Parking Garages | Security Offices |



Kit Includes:

- Sockets
- Reflector (1) Miro 4
- Socket Bar Pinch Bracket (2)
- Tek Screws (4)
- 120v / 277v universal Ballasts

Options:

- Motion Sensors
- White Reflector
- Parabolic Louvers
- 3-Way Lighting Lamps (5000K)
- New Lenses



GreenTech
LIGHTING
COMMERCIAL GRADE

(513)542-7111

info@GreenTechLight.com

www.GreenTechLight.com

NALMCO

interNATIONAL ASSOCIATION
OF LIGHTING MANAGEMENT

• COMPANIES •



LISTED